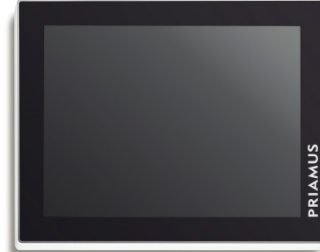


## BlueLine Core Type 8280C

### Intelligent Monitoring and Control Unit

- State-of-the-art digital connection technology
- Digital real-time switch signals
- User-friendly 15" touch-screen (capacitive, anti-glare)
- Robust, fanless housing (passive ventilated)
- Adapted for cleanroom applications
- Integrated Windows 10 IoT Enterprise operating system
- 512 GB, SATA-SSD, 24/7 harddisk
- Lower-power AMD processor chipset
- Integrated real-time manager
- Energy-saving



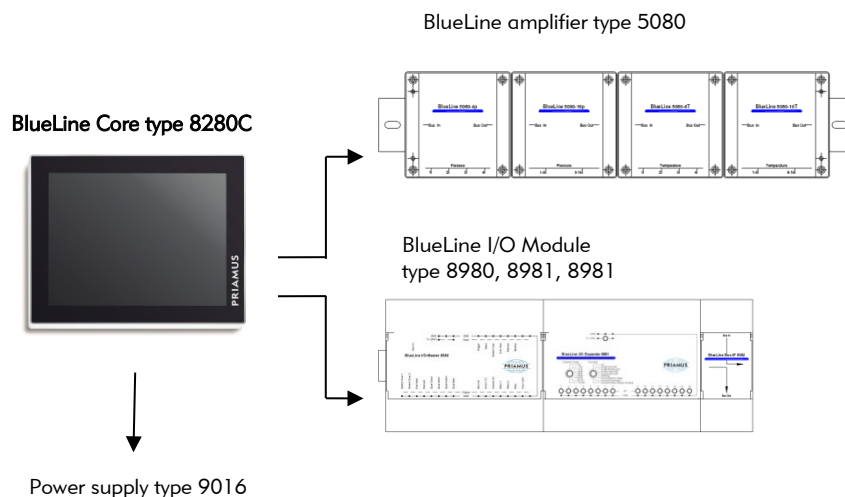
### Description

The BlueLine Core 8280 is a powerful control device for the monitoring and control of the injection mold-ing process. The unit is provided with all interfaces which are required for the operation of all PRIAMUS® BlueLine devices.

Besides a number of standard interfaces the BlueLine Core is equipped with 3 Ethernet interfaces: Via the first interface a huge number of data are transferred from the PRIAMUS® data acquisition system which builds its own network. The second and the third Ethernet interface is used to connect a standard internet or intranet network.

#### Advantage:

- The internet or intranet is not influenced by the huge number of measuring data.
- The network for data transmission is not be influenced by fluctuations in the company network.



### Technical data

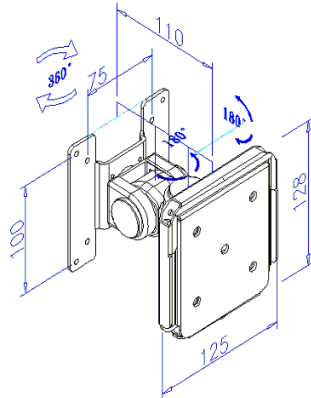
Description	Unit	Specification
Housing		Solid aluminum, Silverware anodized Front: glass
Dimension (L x W x H)	mm	370 x 294 x 64
Weight	kg	4.4
Operating temperature range	°C	0 ... 50
CPU		AMD® GX-415GA™ Quad Core 1.5 GHz 64-bit
Chip set		AMD G-Series
RAM		8 GB DDR3
Harddisk		512 GB, SATA-SSD, 24/7
Network		2 x 10/100/100 Base-T Ethernet Interfaces
Interfaces		1 x Hybrid-Bus-In (Power In) 2 x Hybrid-Bus-Out 2 x USB 2.0 (Type A) on the Bottom 1 x USB 2.0 (Type A) on the Side 1 x DVI 1 x RS-232
Display		15" LED TFT (400 cd/m <sup>2</sup> ), anti-glare
Resolution		1024 x 768
Display antireflexion coating		yes
Touch-screen		Capacitive
Protection class front-panel		IP65
Protection class chassis		IP20
Operating system		Windows 10 IoT Enterprise
Cooling system		Passive (fanless)
Cleanroom-compatible		yes
Assembly		VESA 75, VESA 100
Current consumption (nominal)	W	22
RoHS-compliant		yes
Certification		CE, EN55022, EN55024, EN60068-2-27, EN60068-2-31, DIN EN ISO 9001

#### REMARK :

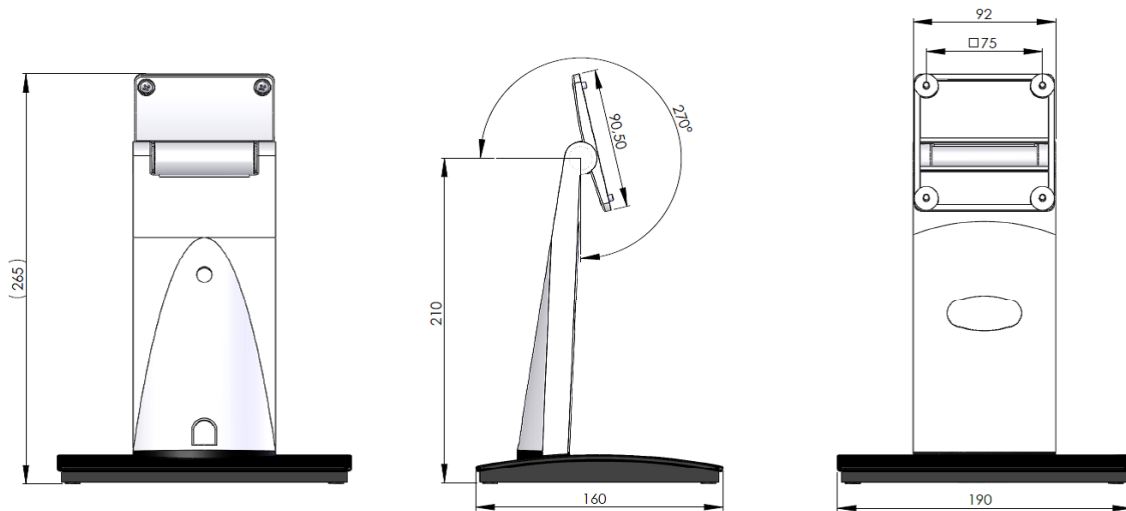
The Core type 8280C is designed for FILLCONTROL from version v1.16.



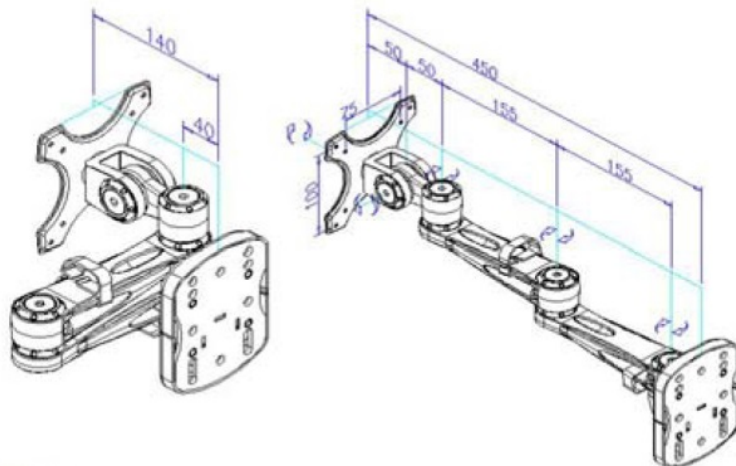
## Dimension Fixing Ddevice type 9008 [mm]



## Dimension Desk stand type 9019 [mm]



## Dimension Fixing device for wall-mounting type 9021





### Scope of delivery

Article	Type
Power supply unit	9016
Touch pen	9020

### Accessories (optional)

Article	Type
BlueLine Amplifier	5080
BlueLine Amplifier	5070
BlueLine I/O Master	8980
BlueLine I/O Expander	8981
BlueLine I/O Interface	8982
Fixing device	9008
Desk stand	9019
Fixing device for wall-mounting	9021
Hybrid Bus connection cable	1280
Ethernet adapter cable	1281
Hybrid Bus connecting cable (right angle plug)	1283
Connecting cable for the power supply directly at the machine	1284