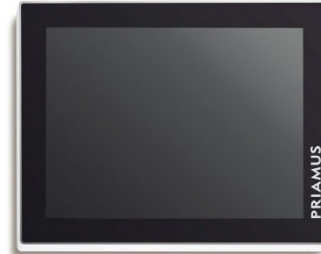


## BlueLine Core Type 8280D

### Intelligent Monitoring and Control Unit

- State-of-the-art digital connection technology
- Support of digital real-time switch signals
- User-friendly 15 inch capacitive and anti-glare touch screen
- Robust and fanless (passive ventilation) device housing, suitable for usage in clean-room applications
- With integrated Windows 10 IoT Enterprise operating system
- With 512GB, SATA-SSD, 24/7 hard disc
- With low-power Intel Celeron processor
- With integrated real-time manager
- With included UPS (Uninterruptible power supply)
- Energy-saving device a self-consumption < 25 W.



### Description

The BlueLine Core 8280 is a powerful control device for the monitoring and control of the injection molding process. The unit is provided with all interfaces which are required for the operation of all PRIAMUS® BlueLine devices.

Besides a number of standard interfaces, the BlueLine Core is equipped with 3 Ethernet interfaces: Via the first interface a huge number of data are transferred from the PRIAMUS® data acquisition system which builds its own network. The second and the third Ethernet interface is used to connect a standard internet or intranet network.

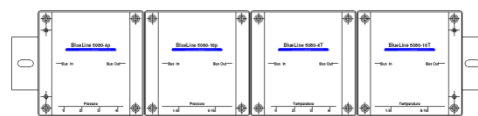
### Advantage:

- The internet or intranet is not influenced by the huge number of measuring data.
- The network for data transmission is not influenced by fluctuations in the company network.

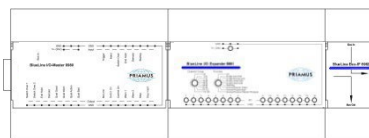
BlueLine Core type 8280D



Power supply type 9016



BlueLine I/O Module  
type 8980, 8981, 8983



## Technical data

### Panel

Description	Specification
LCD Size	15 inch (38.1 cm)
Resolution	1024 x 768
Aspect Ratio	4:3
Technology	TFT
Colours	16.7 M
Backlight	LED
Backlight Lifetime	70,000 h
Luminance	500 cd/m <sup>2</sup>
Contrast Ratio	2500 : 1
Viewing Angle* (right/left/up/down)	88°/88°/88°/88°
Touch	Projected Capacitive Touch, Multitouch, Anti-Glare

### System

Description	Specification
CPU	Intel® Celeron® 3965U 2.2 GHz
Graphic	Intel® HD Graphics 610
Memory	8 GB DDR4
Storage	512 GB 3D TLC SSD
BIOS	AMI Optio 5 BIOS
Wake on LAN	Yes
H/W Status Monitoring	Supports Power Supply Voltage and Temperature Monitoring
CMOS Battery	Lithium Battery (CR2450/610 mAh)
RTC	Internal RTC
TPM	TPM 2.0 (SLB9670)
Watchdog	Yes
RAID	No
UPS estimated protection time	~30 s
UPS shutdown wait time	2 s

### Power Supply

Description	Specification
Supply Voltage	24 VDC ± 20 %
Power Consumption	Max. 25 W Max. periphery consumption included (e.g., 1 x USB 2.0 equals 2.5 W)
Power Button	Yes (on the right side of the housing)
Power Connector	Phoenix SACC-DSIV-MS-8CON-L90 SCO
Fuse	2.5 A, time lag, non-exchangeable, Type: Littelfuse 045202.5MLR



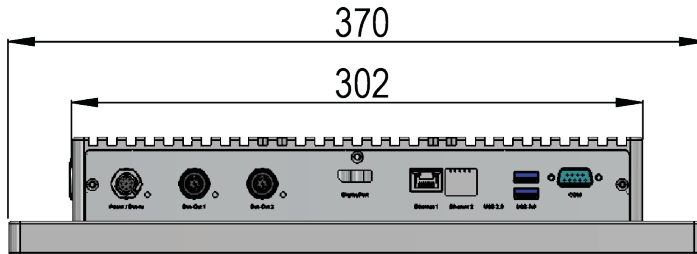
## Mechanical & Environmental

Description	Specification
Housing	Aluminium / Silver
Housing Front	Glass, Black Frame
Dimensions	370 x 294 x 63 [mm]
Mounting	VESA MIS-D, 75, C / VESA MIS-D, 100, C
Weight	max. 3.6 kg
Cooling	Passive
Operating Temperature	0 ~ 50 °C
Storage Temperature	-10 ~ 70 °C
Humidity	5 ~ 80 % (non condensing)
Protection Class	IP65 (IP20 rear)
Certification	CE, EN55032 Class A, EN55035

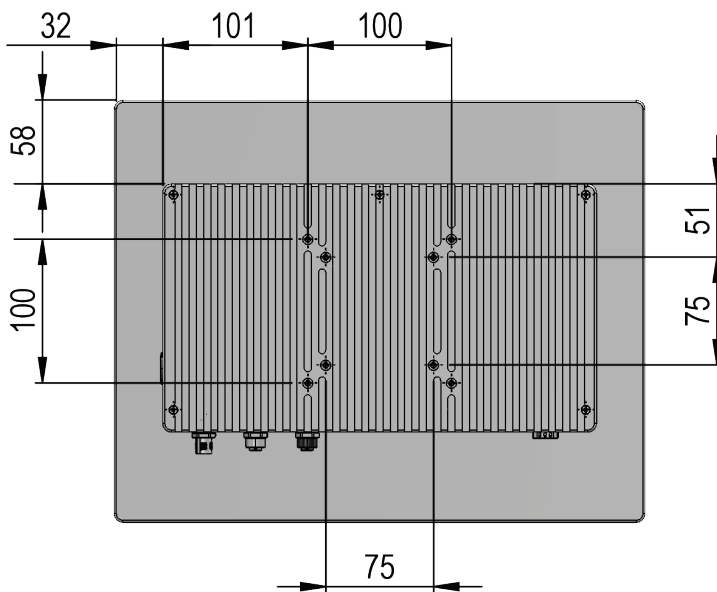
### REMARK:

The Core type 8280D is designed for FILLCONTROL from version v1.19.06.

Dimensions [mm]



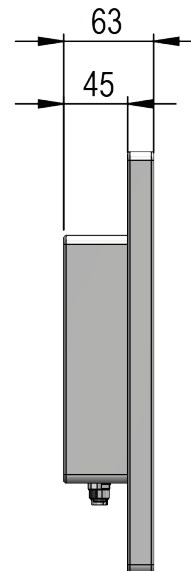
Bottom view



Rear view

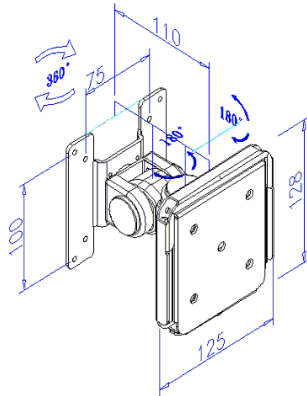


Front view

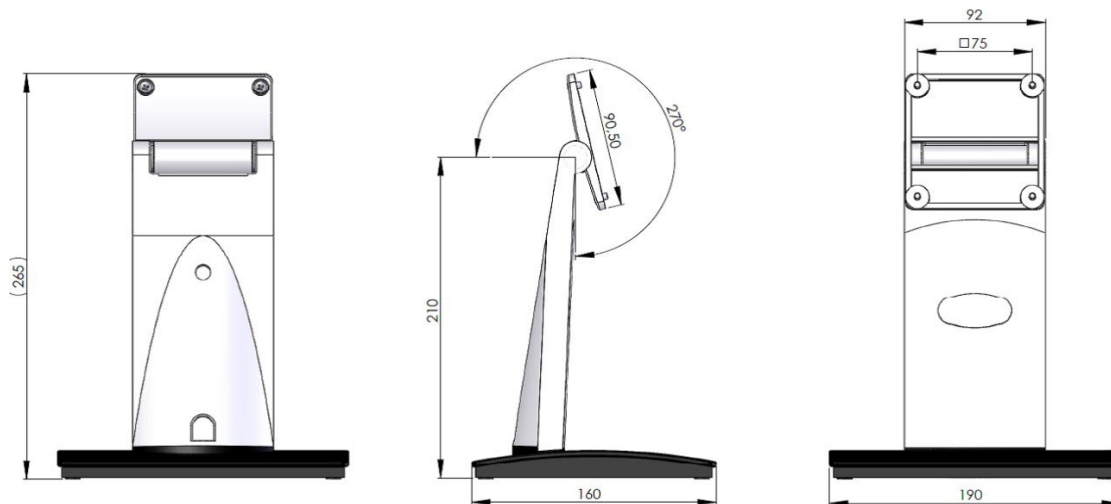


Side view

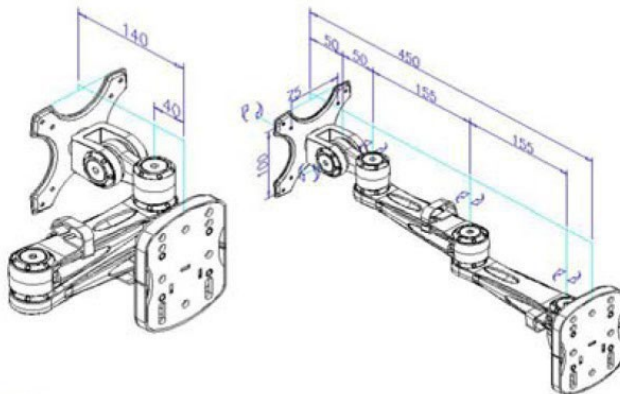
## Dimension Fixing Ddevice type 9008 [mm]



## Dimension Desk stand type 9019 [mm]



## Dimension Fixing device for wall-mounting type 9021





### Scope of delivery

Article	Type
Power supply unit	9016
Touch pen	9020

### Accessories (optional)

Article	Type
BlueLine Amplifier	5080
BlueLine Amplifier	5070
BlueLine I/O Master	8980
BlueLine I/O Expander	8981
BlueLine I/O Interface	8982
Fixing device	9008
Desk stand	9019
Fixing device for wall-mounting	9021
Hybrid Bus connection cable	1280
Ethernet adapter cable	1281
Hybrid Bus connecting cable (right angle plug)	1283
Connecting cable for the power supply directly at the machine	1284